

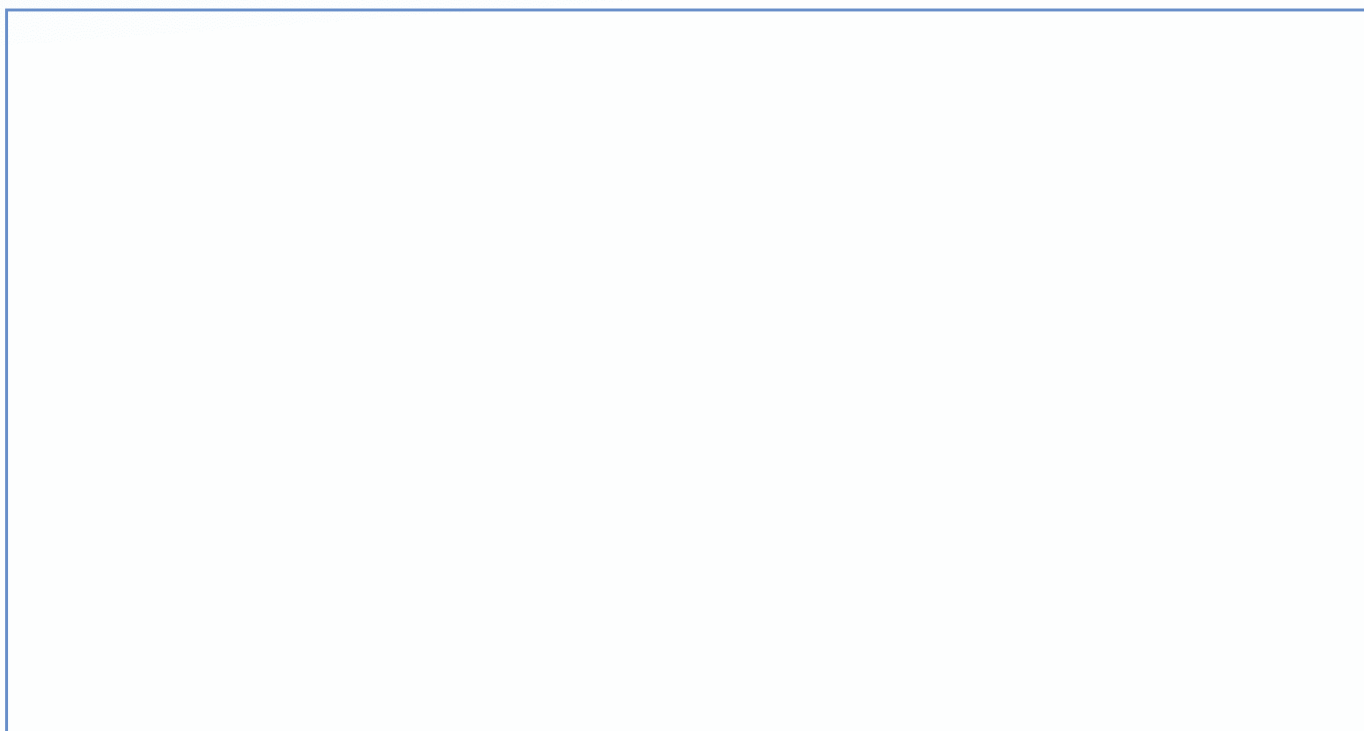
**PRODUCT DESCRIPTION:**

**SMP\_1AS\_S**

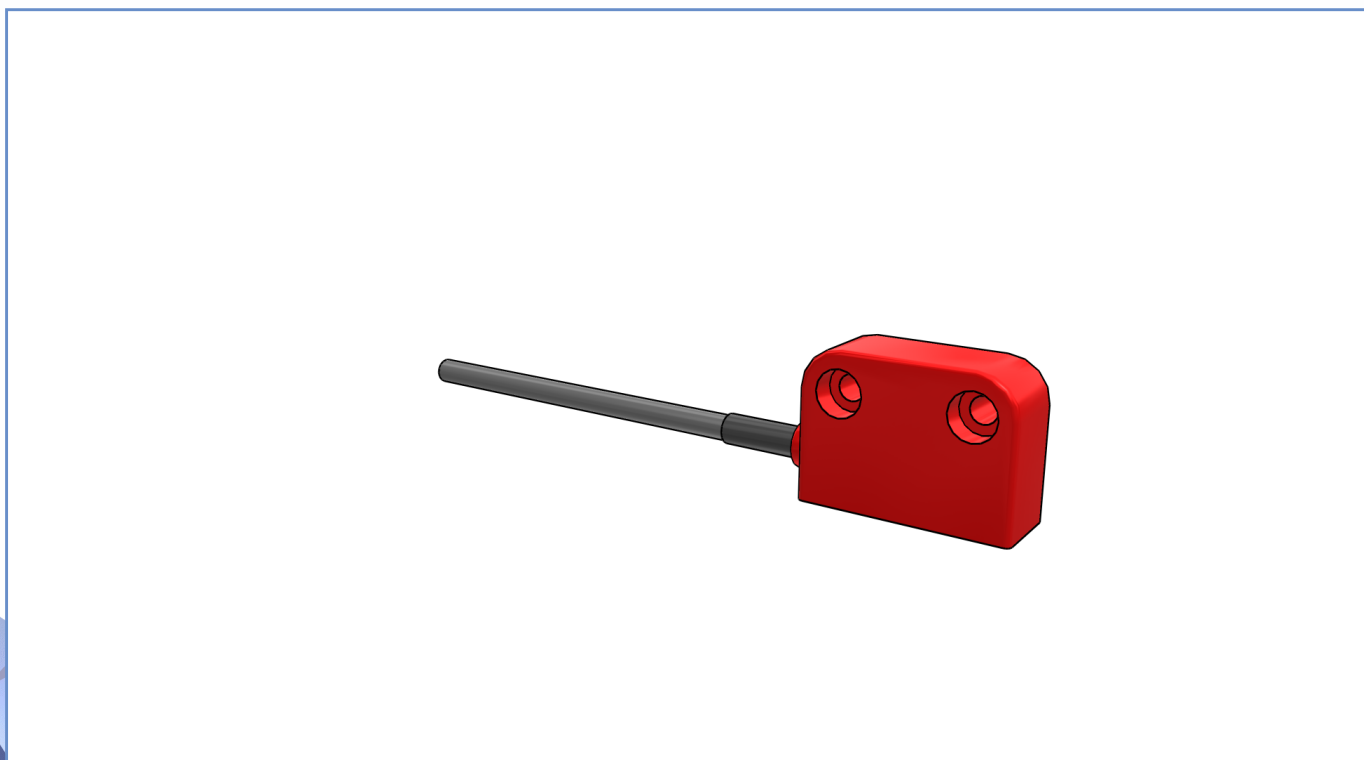
**PRODUCT CODE:**

**SMP1A12S020**

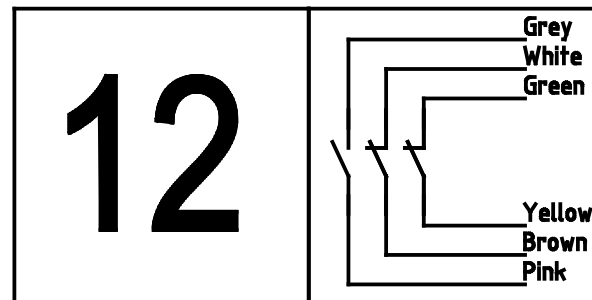
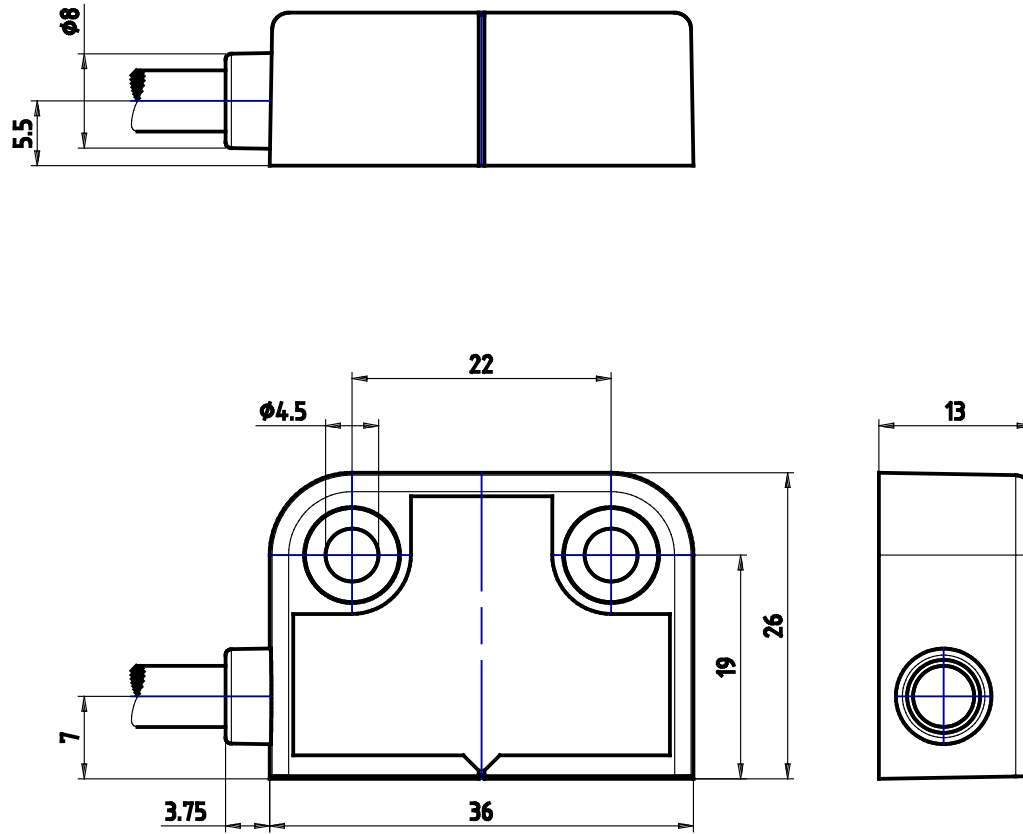
**DYNAMIC 3D VIEW:**



**STATIC 3D VIEW:**



**TECHNICAL VIEW:**



## DETAILS:

Part Number	SMP1A12S020
Width [mm]	36
Reference Directives	2014/35/UE - 2006/42/CE - 2014/30/UE
Reference Standards	IEC 60947-5-1 / EN 60947-5-1 / EN ISO 14119 / EN ISO 13849-1 / EN ISO 13849-2
Interlock type according to EN ISO 14119	Type 4
Encoding level according to EN ISO 14119	Low
Approvals	CE
Casing Material	Reinforced thermoplastic
Fixing holes	22
LED indicator	No
Internal contacts	(1NO + 2NC)
Contact type	REED contacts
Switching distance	5mm
Electrical connection	2m cable PVC 6x0.25
Connection side	Right
Mounting positions	All positions allowed
Operating temperature [°C]	-25°C ... +80°C
Stock temperature [°C]	-25°C ... +80°C
IP protection degree according to EN 60529	IP67
Degree of pollution according to IEC 60947-5-1	3
SIL level according to EN 62061	Up to Sil 3
Performance Level according to EN ISO 13849-1	Up to PLe
Safety Category according to EN ISO 13849-1	Up to Cat 4
B10d [Millions of operations]	20.000.000 using the sensor with MS1A31 COMEPI safety module
Rated Insulating Voltage [V]	120
Rated Impulsive Voltage [V]	6000
Conventional thermal current in air free lth ( $\theta$ min 40 ° C) [A]	0.25
Operating voltage Ue [V]	24
Rated operational current Ie [A]	0.25 (resistive load)
Maximum resistive load [W]	6 (0.25A for F type)
Electric durability [Operations]	1000000

### PRODUCT DRAWING RELEASE:

Datasheet creation date: 09/04/2021 22:01

Last Modification (geometry): 13/08/2020 11:57



tel. +39 039 9906408  
+39 039 9903468  
fax +39 039 9906203



Via Novarino 9/L  
23899 Robbiate (LC)  
ITALY



www.comepi.it  
comepi@comepi.it  
tecnico@comepi.it