

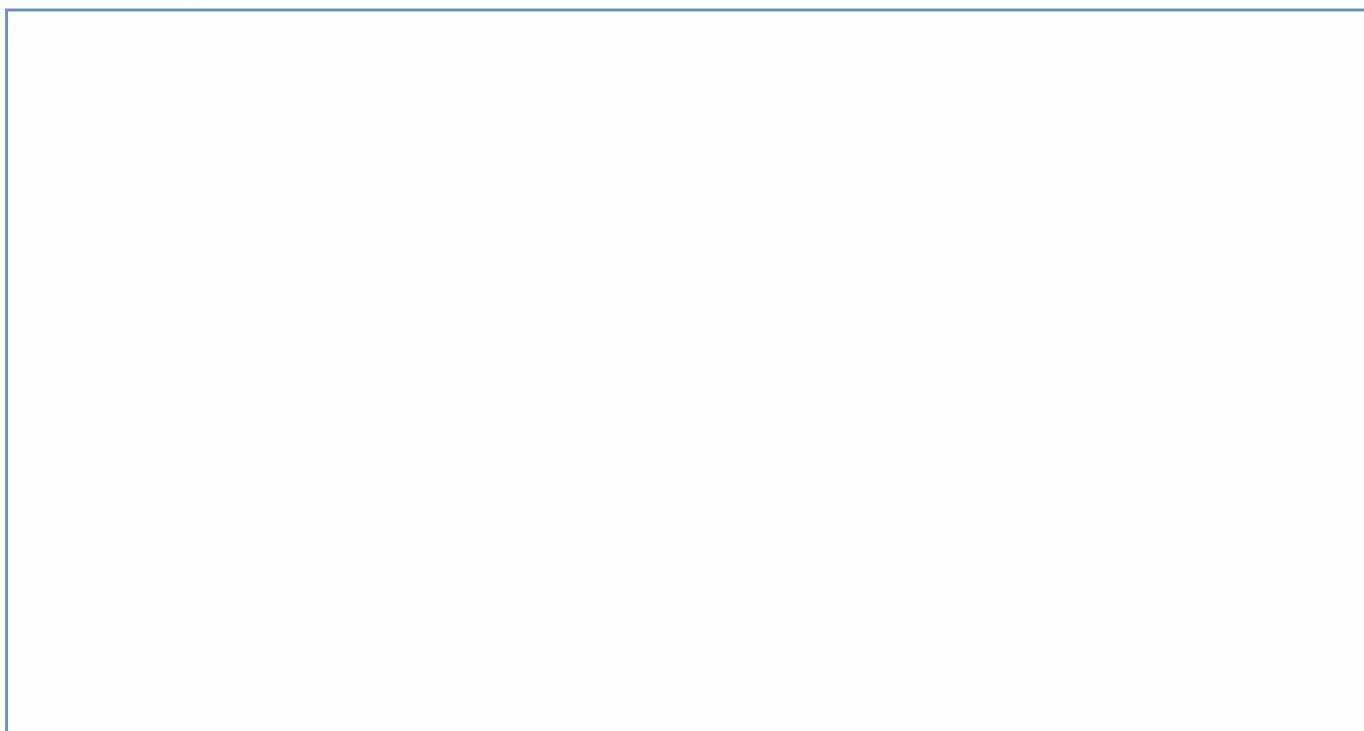
**PRODUCT DESCRIPTION:**

**SMP\_1AS\_MG**

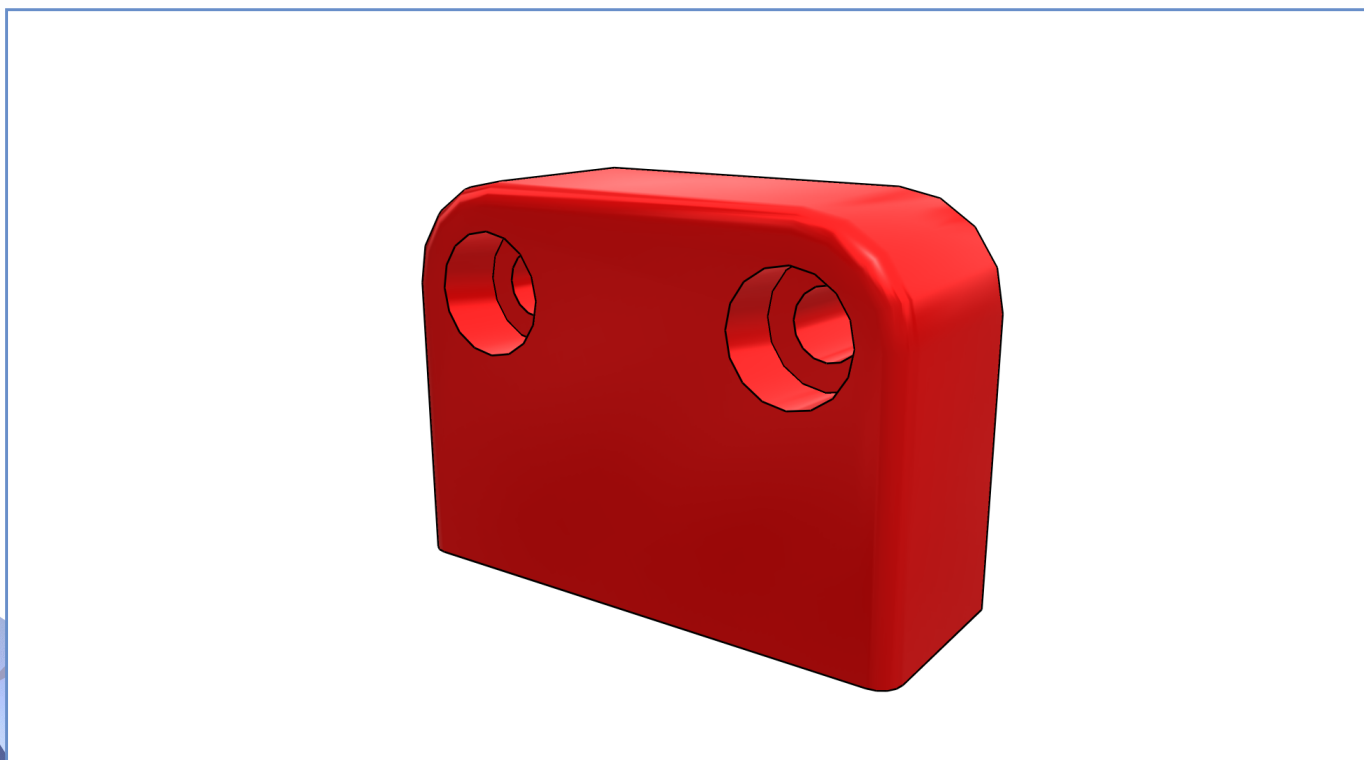
**PRODUCT CODE:**

**SMP1AMG**

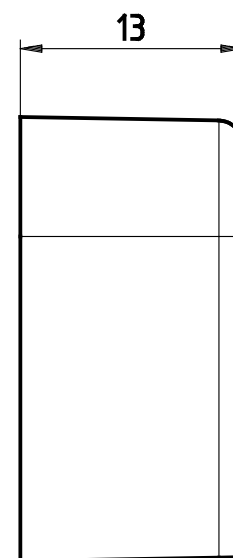
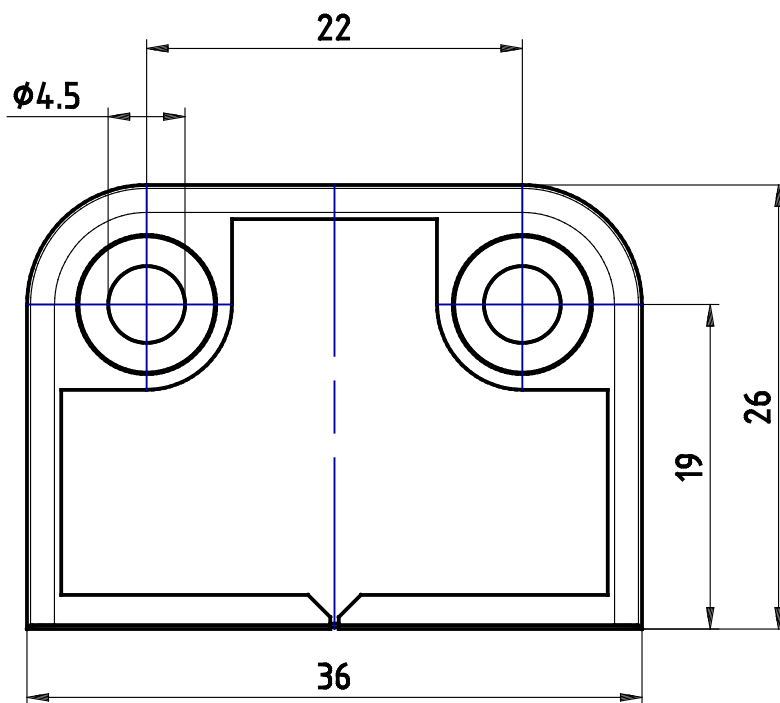
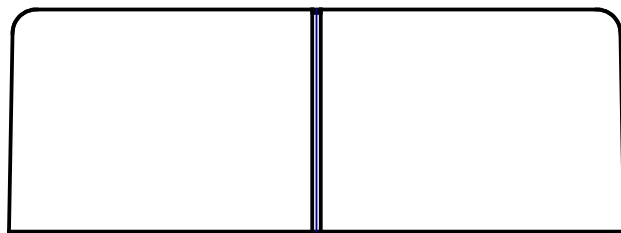
**DYNAMIC 3D VIEW:**



**STATIC 3D VIEW:**



TECHNICAL VIEW:



**DETAILS:**

Part Number	SMP1AMG
Width [mm]	36
Reference Directives	2014/35/UE - 2006/42/CE - 2014/30/UE
Reference Standards	IEC 60947-5-1 / EN 60947-5-1 / EN ISO 14119 / EN ISO 13849-1 / EN ISO 13849-2
Interlock type according to EN ISO 14119	Type 4
Encoding level according to EN ISO 14119	Low
Approvals	CE
Casing Material	Reinforced thermoplastic
Fixing holes	22
LED indicator	/
Contact type	/
Switching distance	5mm
Electrical connection	/
Connection side	/
Mounting positions	All positions allowed
Operating temperature [°C]	-25°C ... +80°C
Stock temperature [°C]	-25°C ... +80°C
IP protection degree according to EN 60529	/
Degree of pollution according to IEC 60947-5-1	/
SIL level according to EN 62061	/
Performance Level according to EN ISO 13849-1	/
Safety Category according to EN ISO 13849-1	/
B10d [Millions of operations]	/
Rated Insulating Voltage [V]	/
Rated Impulsive Voltage [V]	/
Conventional thermal current in air free I <sub>th</sub> (θ min 40 ° C) [A]	/
Operating voltage U <sub>e</sub> [V]	/
Rated operational current I <sub>e</sub> [A]	/
Maximum resistive load [W]	/
Electric durability [Operations]	/

**PRODUCT DRAWING RELEASE:**

Datasheet creation date: 09/04/2021 22:00

Last Modification (geometry): 13/08/2020 12:00

