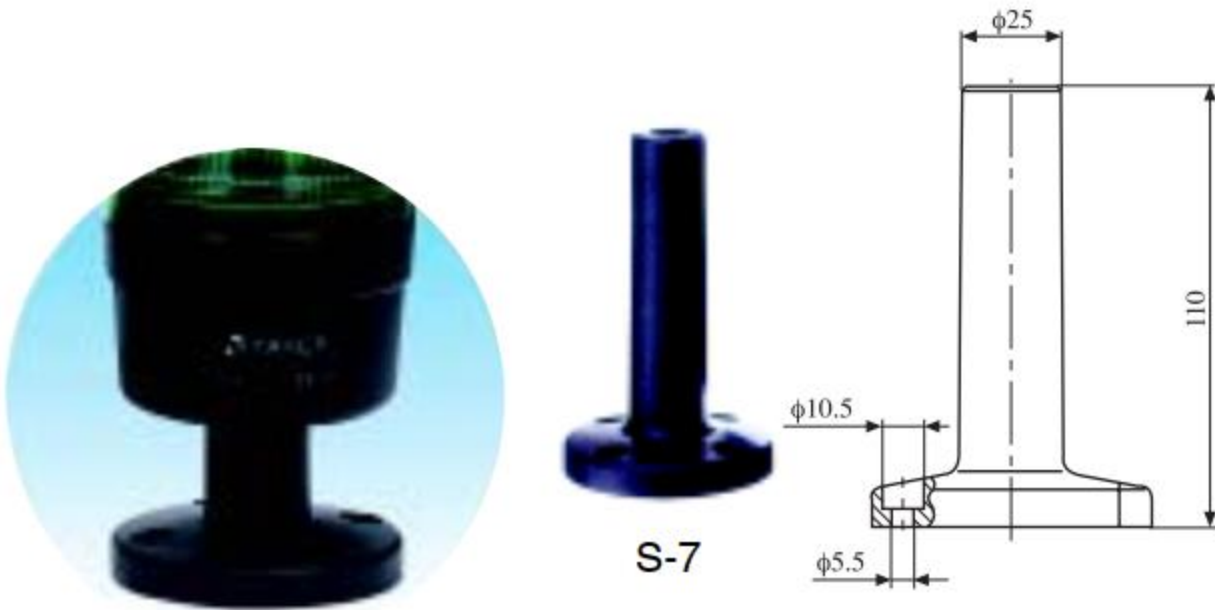
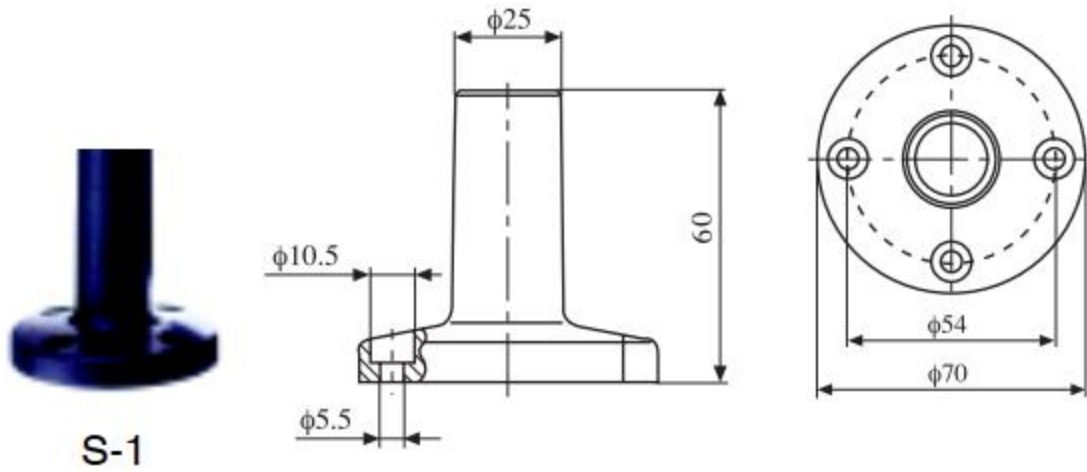


To Install Base Vertically (out-line) S-1,S-7



Connecting Tube

★ It should be used with S-1 or S-7

- | | |
|-------|----|
| 100mm | G1 |
| 250mm | G2 |
| 400mm | G4 |
| 800mm | G8 |

