

Ø70 SIGNAL LAMP



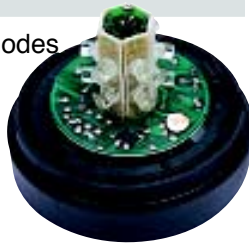
PERFORMANCE CHARACTERISTIC

There are 4 types of optical source and 2 styles offered for users.

Optical source type

LED

4 types of luminescence modes
permanent
blink
rotating flash
adjustable
(between permanent and blink)



SUPERBRIGHT LED

4 types of luminescence modes
permanent
blink
rotating flash
adjustable
(between permanent and blink)



FILAMENT LAMP

2 types of luminescence modes
permanent
blink



XENON LAMP

only 1 luminescence mode
blink(flash)
flash frequency
0.5Hz-2Hz



TECHNICAL PARAMETER

Guideline of Current

Type	24V	220V
Filament Lamp maximum current	3W	3W
LED maximum current	0.1A/2.4W	0.05A/0.8W
Xenon Lamp maximum current	0.2A/4.8W	0.03A/6.6W

Working Environment

Environmental Temperature	-25℃ ~ +55℃
Degree of Pollution	Class 3
Antivibration	10-2000Hz, 1mm, 15g
Degree of Protection	IP 65
Installation Type	III
Altitude	≤ 2000m
Relative Mositure of Air	≤ 98%



ORDER TYPE

single-light signal lamp

JD 70A	—	Optical source	+ Luminescence modes	+ Color	+ Voltage
↓		↓	↓	↓	↓
Diameter		LED	Permanent	Red	DC
70mm		Super Bright LED	Blink	Green	24V
single-light		Filament Lamp	Rotating flash	Yellow	AC
		Xenon lamp	Adjustable	White	220V
				Blue	



single-light signal lamp

JD 70CA	—	Optical source	+ Luminescence modes	+ Color	+ Voltage
↓		↓	↓	↓	↓
Diameter		LED	Permanent	Red	DC
70mm		Super Bright LED	Blink	Green	24V
		Filament Lamp	Rotating flash	Yellow	AC
		Xenon lamp	Adjustable	White	220V
				Blue	



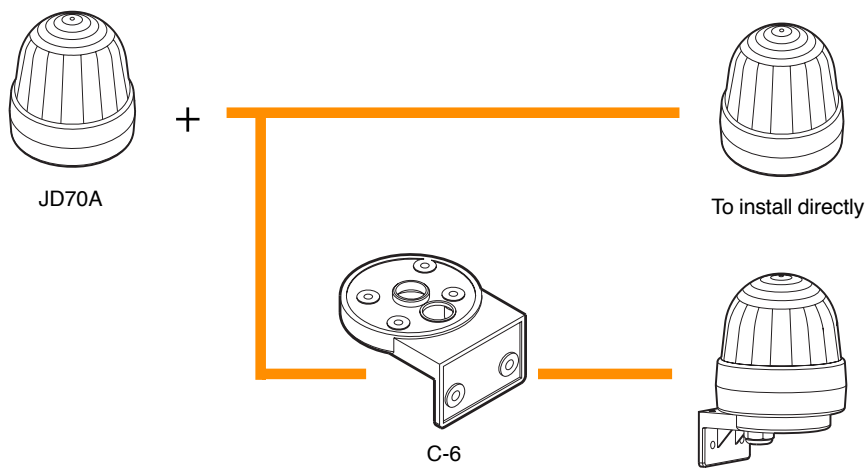
Production type

JD70A- order type1+ order type2+ order type3+ order type4

	Optical source		Luminescence modes		Color		Voltage	
	Optical source	Order type1	Modes	Order type2	Color	Order type3	Voltage	Order type4
	LED	L	Permanent Blink Rotating flash Adjustable	01 02 03 04	Red Green Yellow White Blue	R G Y W S	DC 24V	024
	Super Bright LED	H	Permanent Blink Rotating flash Adjustable	01 02 03 04	Red Green Yellow White Blue	R G Y W S	AC 220V	122
	Xenon lamp	S	Blink	02	Red Green Yellow White Blue	R G Y W S	DC 24V AC 220V	024 122
	Filament Lamp	X	Permanent Blink	01 02	Red Green Yellow White Blue	R G Y W S	DC 24V AC 220V	024 122

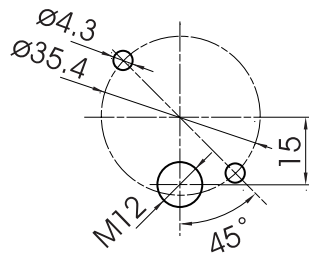
Note:DC is applicable to AC (which means DC and AC are both applicable). Special voltage can be ordered.

SKETCH MAP FOR MAKING UP PRODUCT AND ITS ACCESSORIES

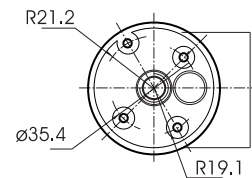
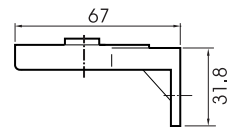


INSTALLATION MODE AND INSTALLATION ACCESSORY

To install directly (in-line)



To Sidemount Base (out-line) C-6



Note: Accessory should be ordered separately.

DEMONSTRATION OF PRODUCT

LED Signal Lamp



→ Blue LED Blink DC24V
JD70A-L02S024

→ To Install Directly

Xenon Signal Lamp

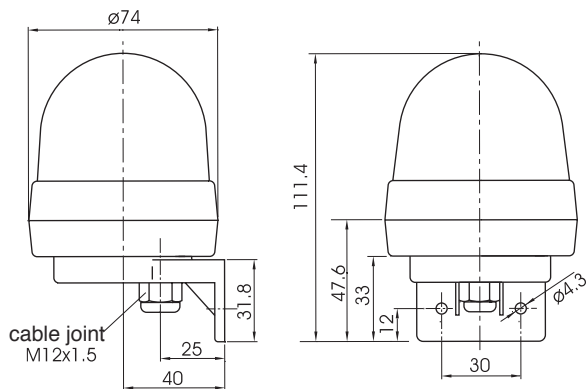


→ Red Xenon Lamp Blink DC24V
JD70A-S02R024

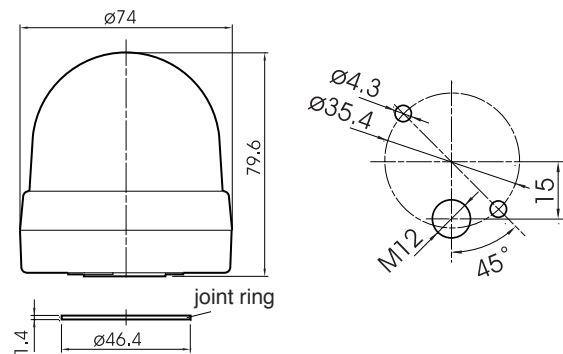
→ Sidemounted Base
C-6

DIMENSIONAL DRAWING

JD70CA Signal Lamp (matching C-6)

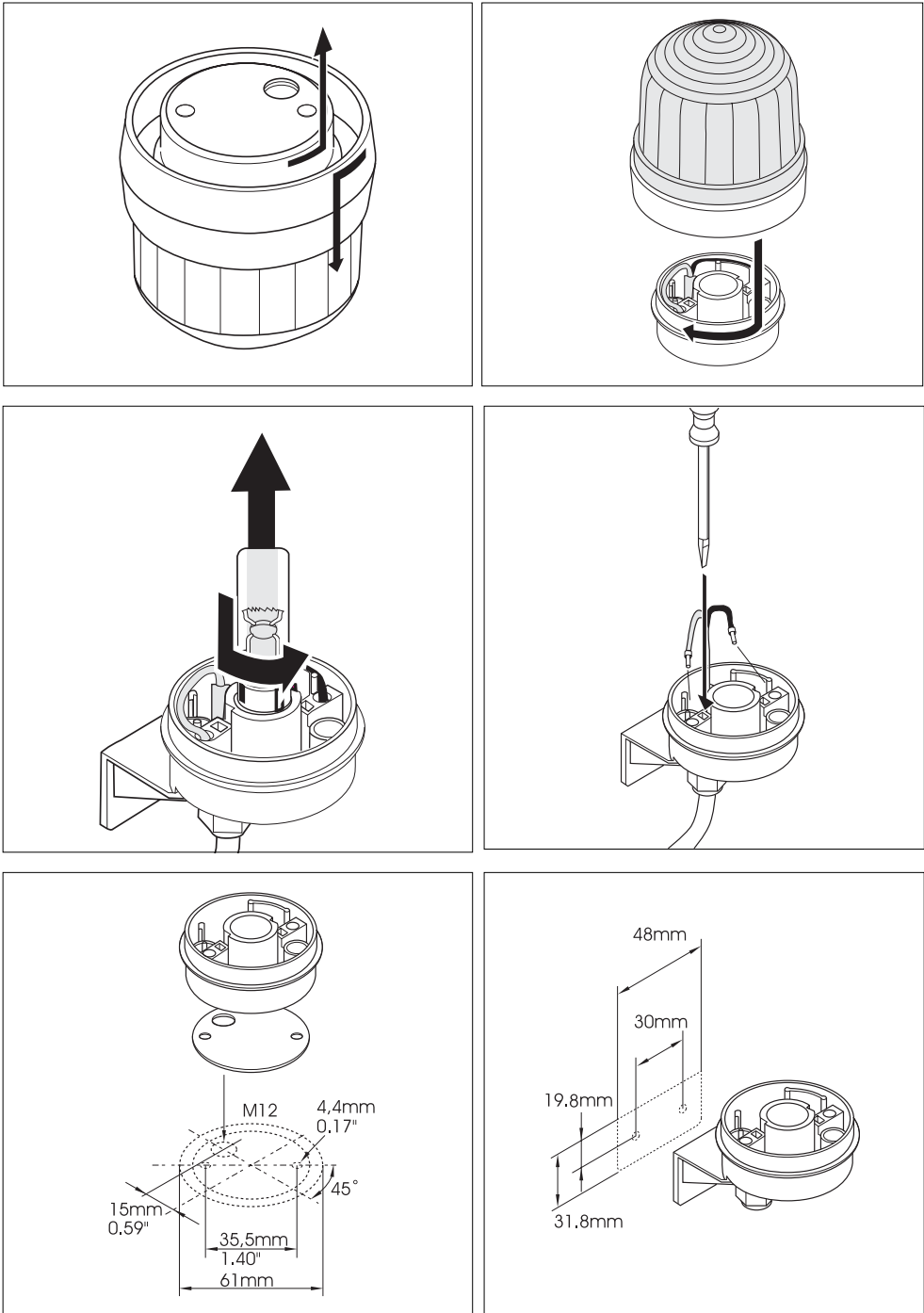


JD70CA Signal Lamp







TAYE

INSTALLATION MODE



Production type

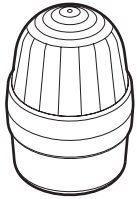
JD70CA- order type1+ order type2+ order type3+ order type4

	Optical source		Luminescence modes		Color		Voltage	
	Sound	Order type1	Modes	Order type2	Color	Order type3	Voltage	Order type4
	LED	L	Permanent Blink Rotating flash Adjustable	01 02 03 04	Red Green Yellow White Blue	R G Y W S	DC 24V	024
	Super Bright LED	H	Permanent Blink Rotating flash Adjustable	01 02 03 04	Red Green Yellow White Blue	R G Y W S	AC 220V	122
	Xenon lamp	S	Blink	02	Red Green Yellow White Blue	R G Y W S	DC 24V AC 220V	024 122
	Filament Lamp	X	Permanent Blink	01 02	Red Green Yellow White Blue	R G Y W S	DC 24V AC 220V	024 122

Note:DC is applicable to AC (which means DC and AC are both applicable). Special voltage can be ordered.

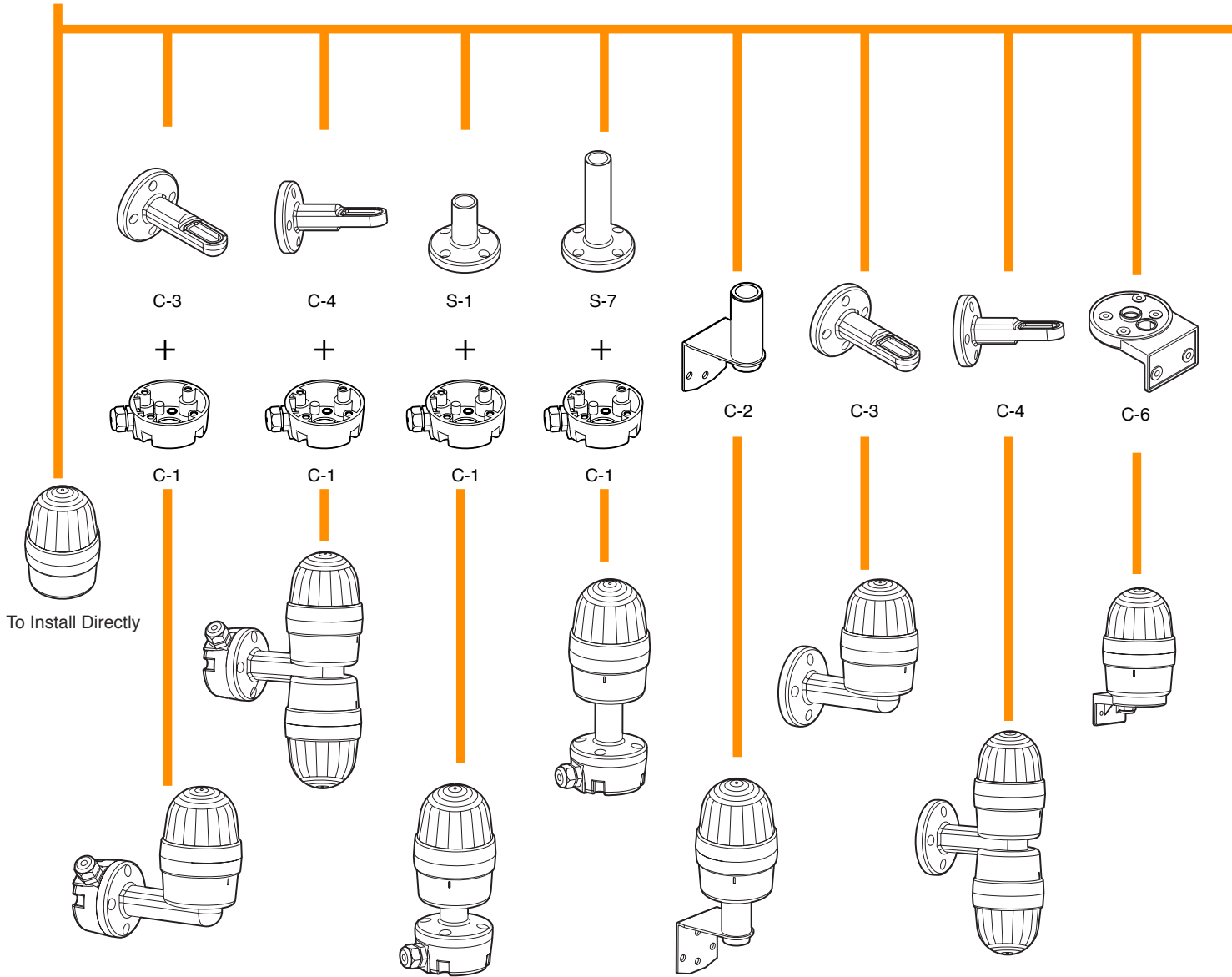
TAYE

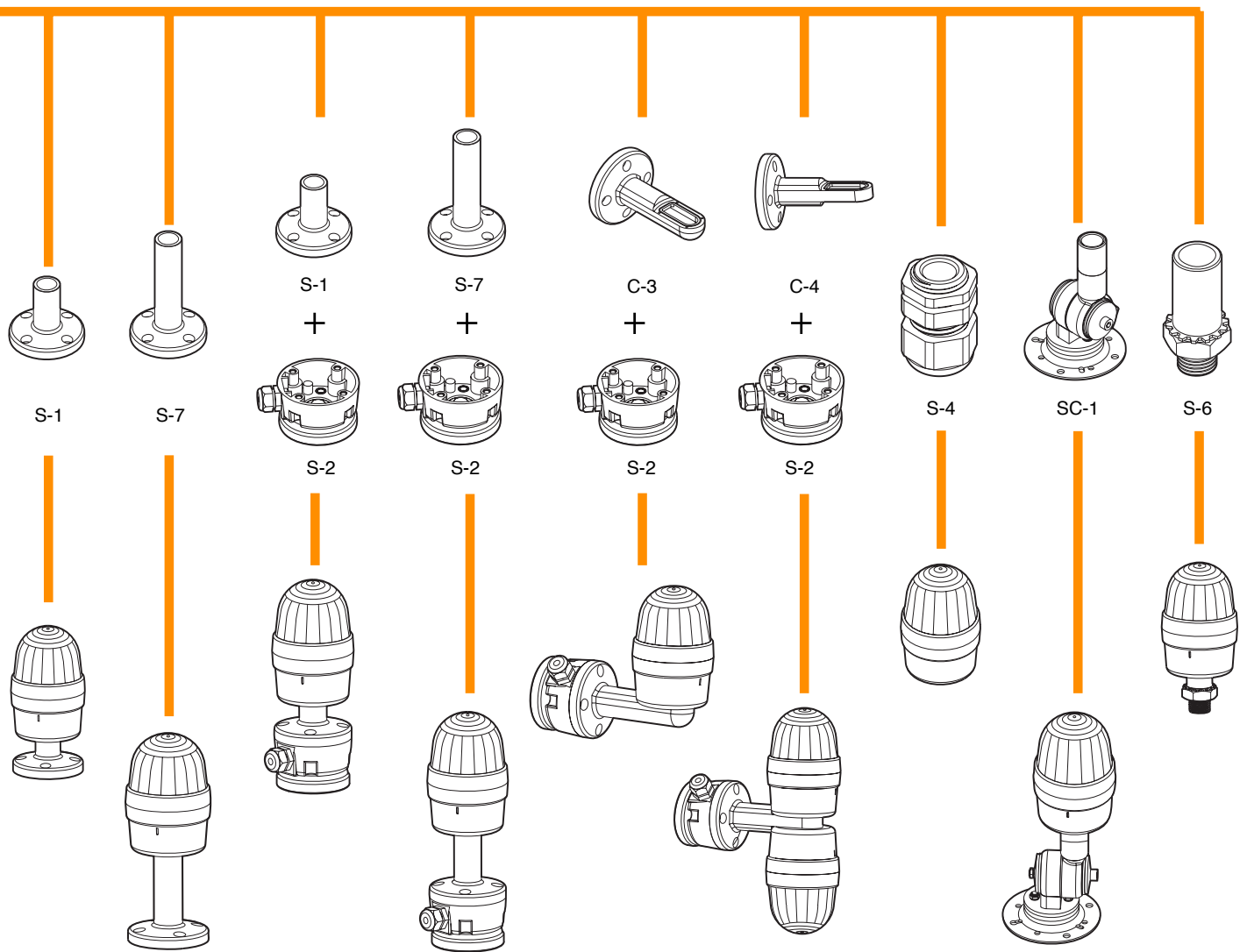
SKETCH MAP FOR MAKING UP PRODUCT AND ITS ACCESSORIES



+

JD70CA





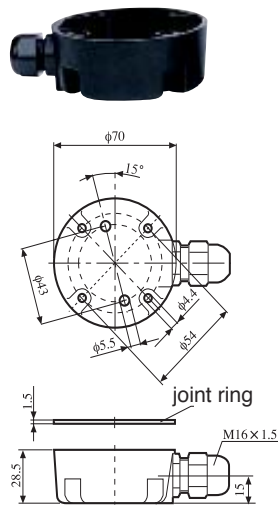
Note: the bottom of S-2 use permanent magnet material (magnet)

Note: SC-1 is collapsible

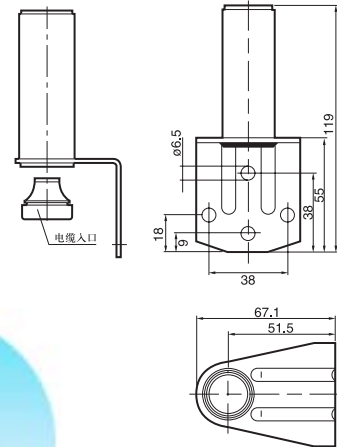
SKETCH MAP FOR MAKING UP PRODUCT AND ITS ACCESSORIES

To Install Base (out-line) C-1

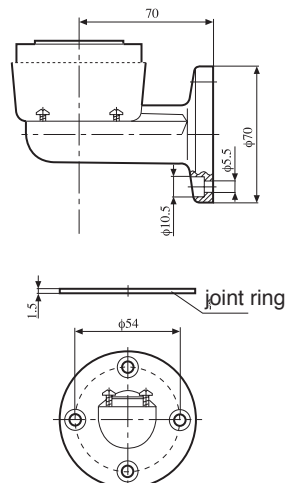
- ★ It should be used with C-3 or C-4 when sidemounting
- ★ It should be used with S-1 or S-7 when installing vertically



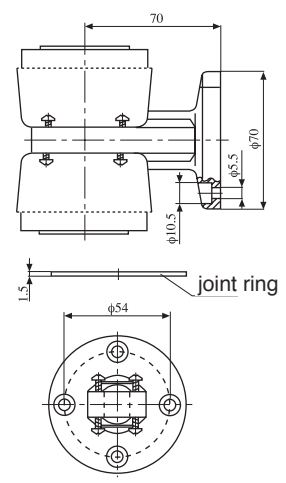
To Sidemount Base (out-line) C-2



To Sidemount Base (in-line) C-3



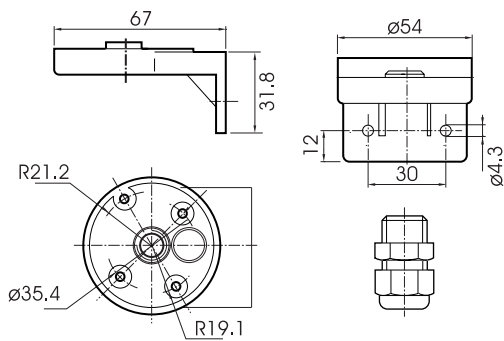
To Sidemount Base (in-line) C-4



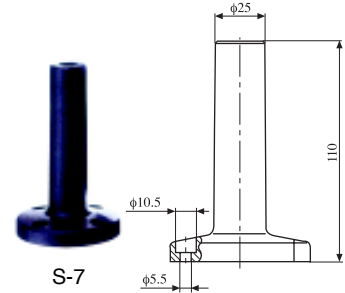
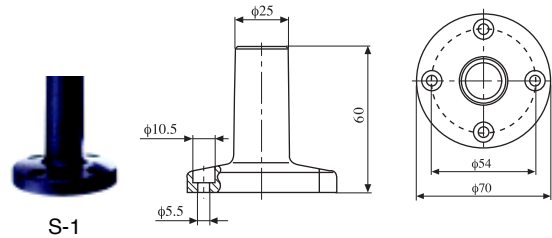
Note: Accessory should be ordered separately.

SKETCH MAP FOR MAKING UP PRODUCT AND ITS ACCESSORIES

To Sidemount Base (out-line) C-6

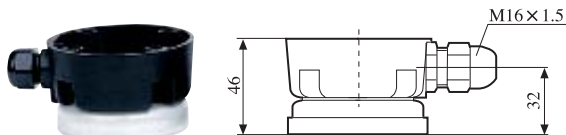


To Install Base Vertically (out-line) S-1,S-7



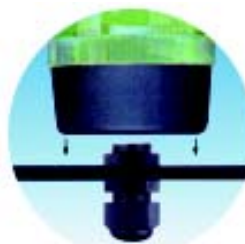
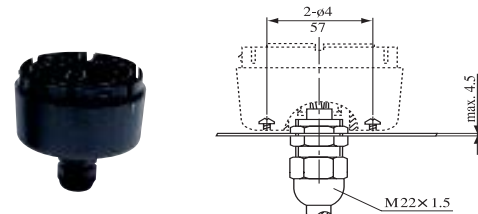
To Install Base Vertically (out-line) S-2

- ★ It should be used with C-3 or C-4 when sidemounting
- ★ It should be used with S-1 or S-7 when vertically mounting
- ★ There is permanent magnet material on the base (magnet steel)(for convenient carriage)



To Install Cable Joint (in-line) S-4

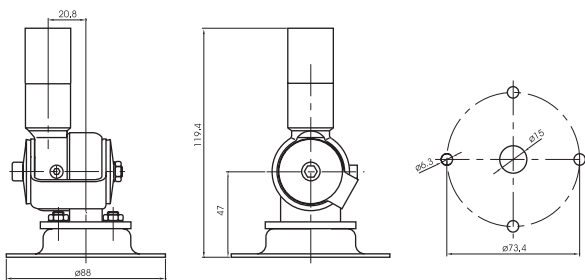
- ★ Including B01



TAYE

SKETCH MAP FOR MAKING UP PRODUCT AND ITS ACCESSORIES

To Install Base Collapsibly (in-line) SC-1



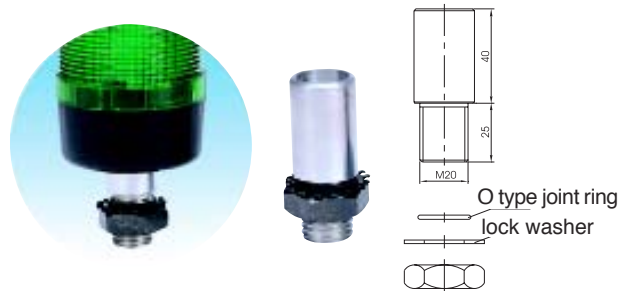
Connecting Tube

★ It should be used with S-1 or S-7

- 100mm G1
- 250mm G2
- 400mm G4
- 800mm G8

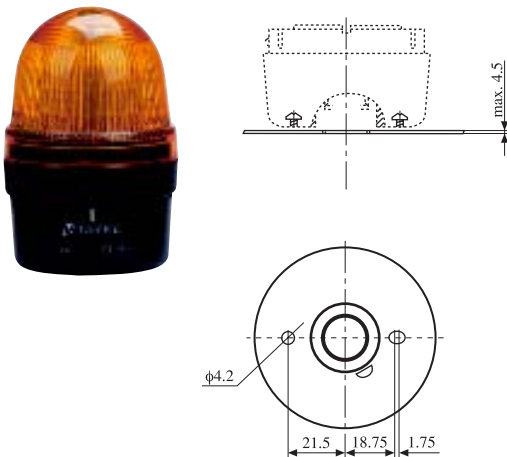


To Install the Joint (in-line) S-6

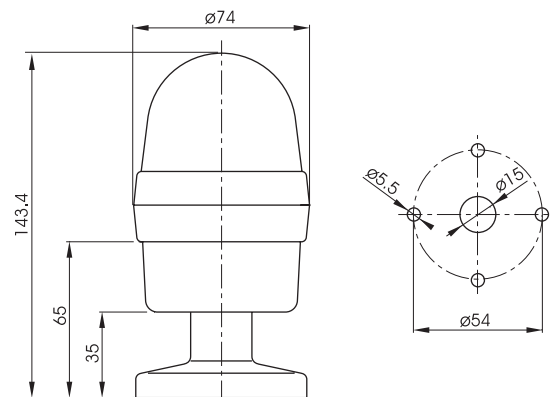


DIMENSIONAL DRAWING

To Install Directly

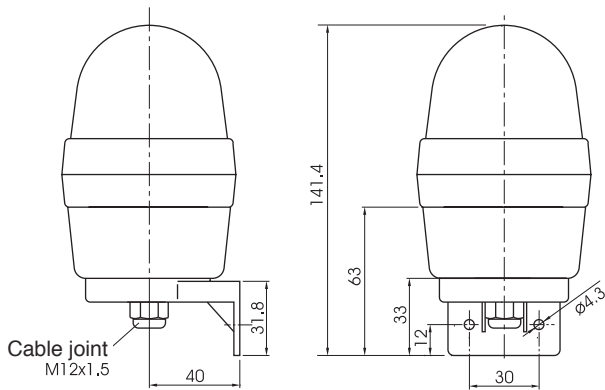


JD70CA Signal Lamp (matching S-1)

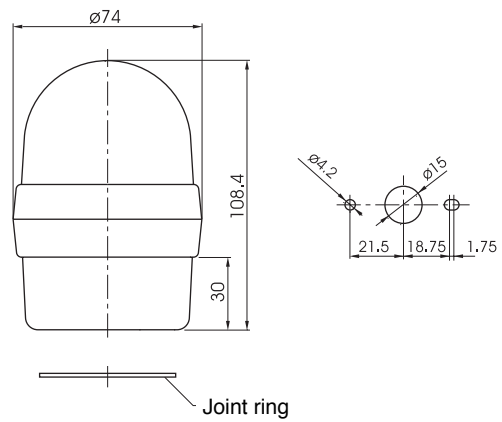


DIMENSIONAL DRAWING

JD70CA Signal Lamp (matching C-6)



JD70CA Signal Lamp



INSTALLTION MODE

