

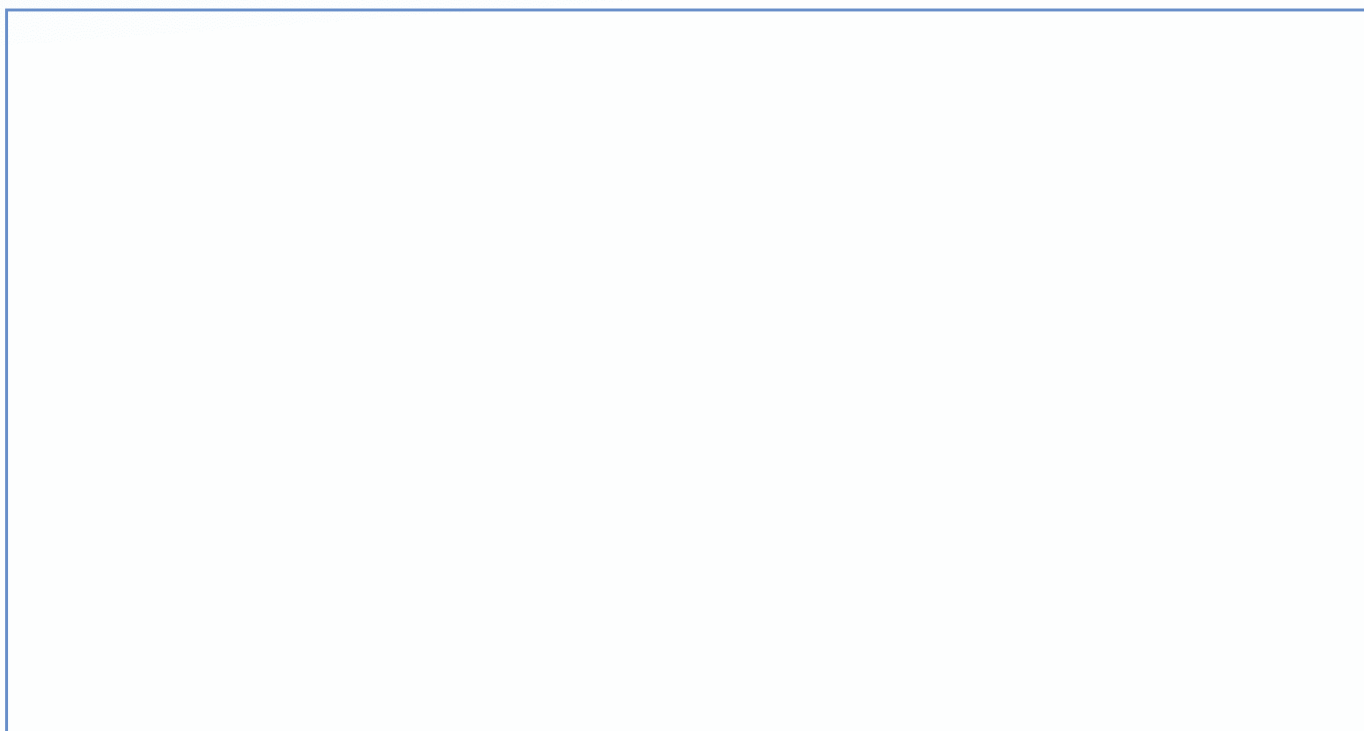
**PRODUCT DESCRIPTION:**

**SDM\_K10**

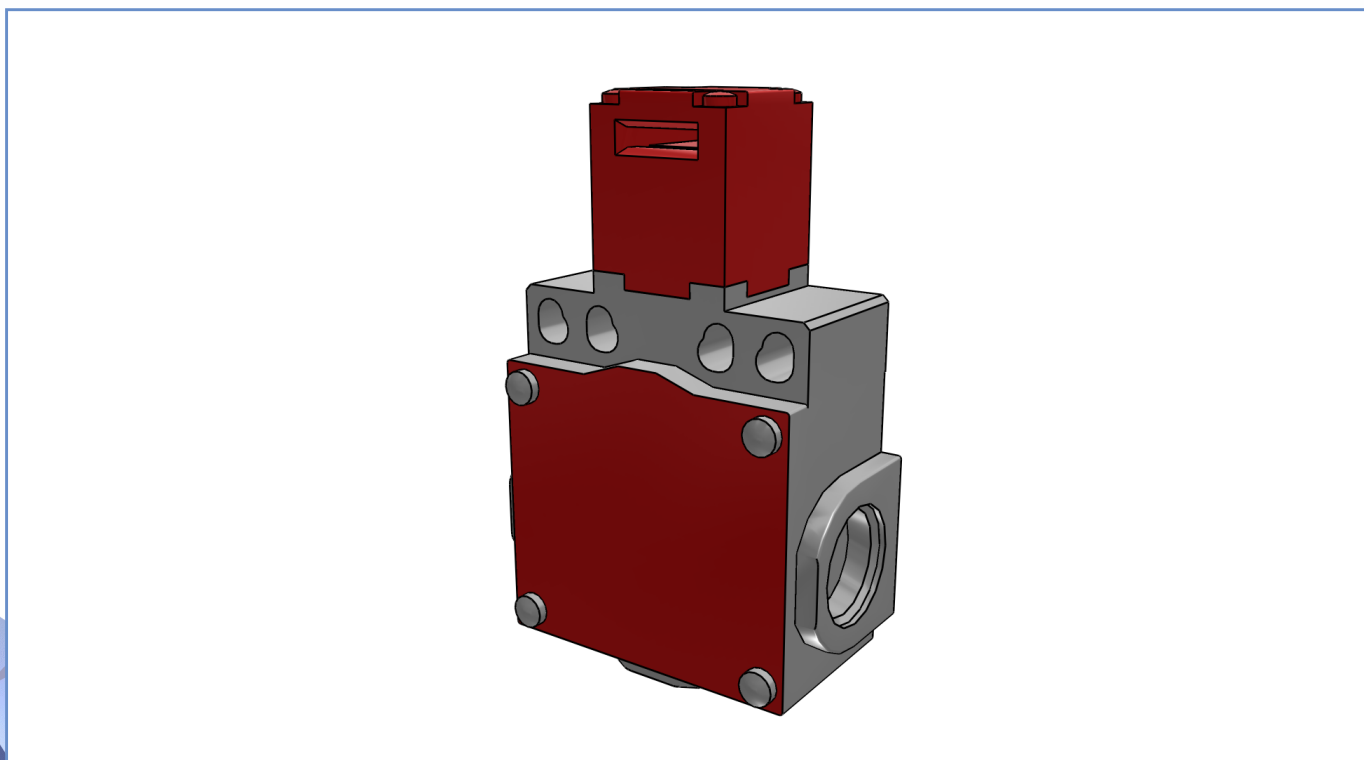
**PRODUCT CODE:**

**SDM1K10Z11**

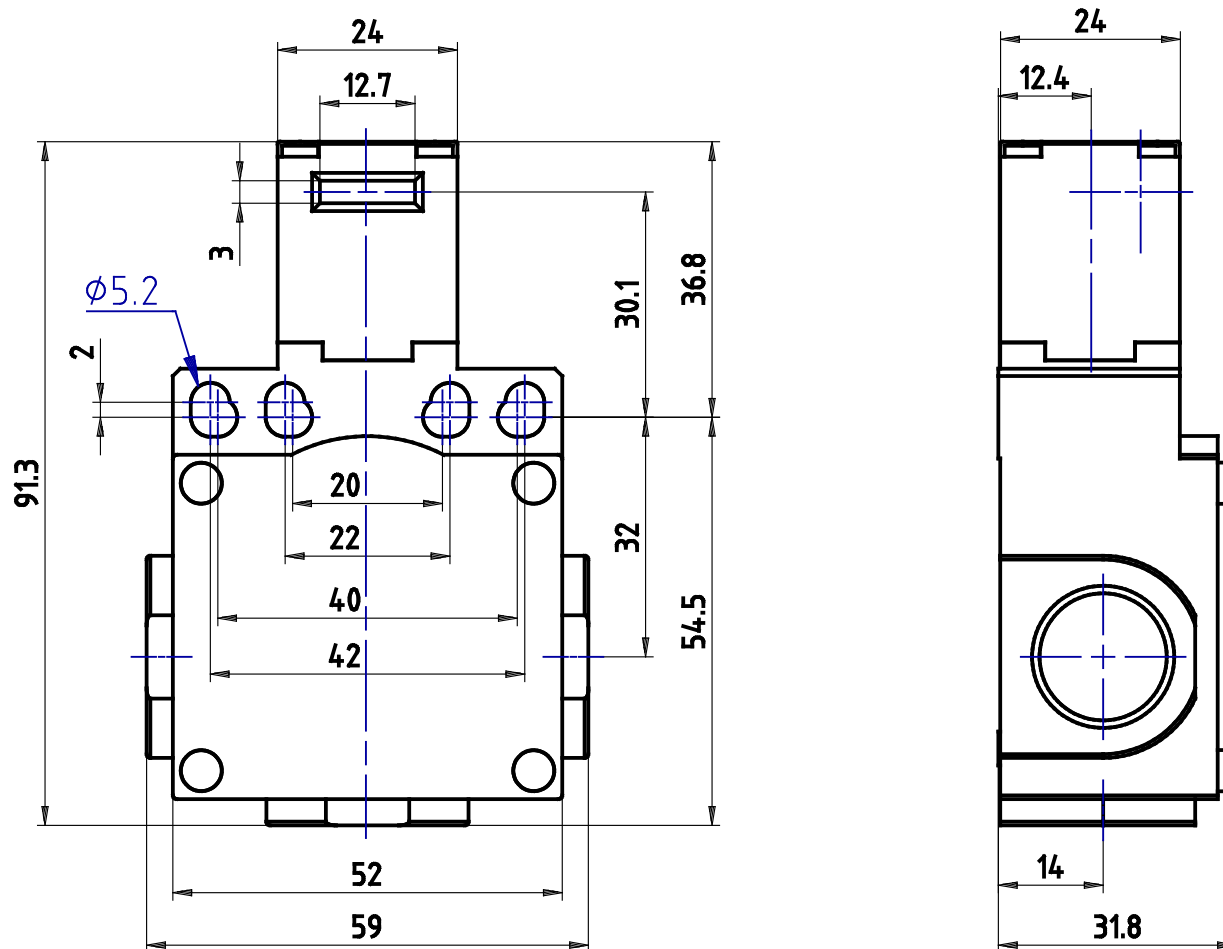
**DYNAMIC 3D VIEW:**

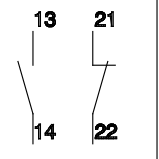
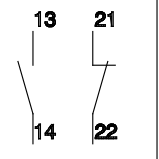


**STATIC 3D VIEW:**



TECHNICAL VIEW:



Z11	13	21	0	1.9	3.6	4.7	mm
			21-22			⊖	▶
			13-14				▶
			21-22				▶
13-14						▶	

**DETAILS:**

Part Number	SDM1K10Z11
Casing Material	Painted zamak
Width [mm]	50
Electrical connections	Three threaded cable inlets for PG13.5 cable glands
IP Degree of Protection	IP66
Actuating Head	90° turnable head with separated actuator
Head Material	Thermoplastic head
Microswitch	Snap action contacts (1NO + 1NC)
Approvals	IMQ - cULus - CCC - CSA - EAC
Reference Directives	2014/35/UE - 2006/42/CE
Reference Standards	IEC 60947-5-1 / EN 60947-5-1 / EN ISO 14119
Interlock type according to EN ISO 14119	Type 2
Encoding level according to EN ISO 14119	Low
Operating Temperatures [°C]	-25°C ... +70°C
Stock Temperatures [°C]	-30°C ... +80°C
Protection against electric shocks (according to IEC 60536) [Class]	Class I
Rated Insulating Voltage Ui [V]	500
Pollution Degree	3
Contact rating secondo UL50	A300 - Q300
Rated Impulsive Voltage Uimp [kV]	6
Conventional thermal current in air free Ith ( $\theta < 40^\circ \text{C}$ ) [A]	10
Short circuit protection (EU <500Vac - fuses type gG (gl)) [A]	10
Operating currents Ie - AC-15 (50-60 Hz) according to IEC 60947-5-1	24V - 10A / 120V - 6A / 400V - 4A
DC-13 operating currents according to IEC 60947-5-1	24V - 6A / 125V - 0.55A / 250V - 0.4A
Switching Frequency [cycles/hour]	3600
Resistance Between Contacts [mΩ]	25
Connecting Terminals	M3.5 screw with cable clamp (+,-) pozidriv 2
Connecting Cables Dimensions [mm <sup>2</sup> ]	0.75 ... 2.5
Protective Conductor Terminal	M3.5 screw with cable clamp (+,-) pozidriv 2
Marking Terminals	According to IEC 60947-5-1

**PRODUCT DRAWING RELEASE:**

Datasheet creation date: 29/05/2020 16:51

Last Modification (geometry): 28/02/2019 11:04



**DETAILS:**

Mechanical Durability [Millions of Operations]	1
B10d [Millions of Operations]	2

**PRODUCT DRAWING RELEASE:**

Datasheet creation date: 29/05/2020 16:51

Last Modification (geometry): 28/02/2019 11:04

tel. +39 039 9906408  
+39 039 9903468  
fax +39 039 9906203Via Novarino 9/L  
23899 Robbiate (LC)  
ITALY[www.comepi.it](http://www.comepi.it)  
[comepi@comepi.it](mailto:comepi@comepi.it)  
[tecnico@comepi.it](mailto:tecnico@comepi.it)